



GPO TAC₄₅

Spotter 15-45x60

Dear customers,

We are pleased that you have chosen our spotting scope and would like to thank you for your confidence in our products. It is important to us to provide you with the best product and, if needed, the best service support so that you can enjoy your outdoor passion to the fullest.

Enjoy your PASSION™

SAFETY INSTRUCTIONS



Please read these safety instructions carefully and follow these guidelines when using the product.



Never look directly into the sun, any bright light sources or laser based light sources through your optical product. This can cause irreparable eye damage. Optics in riflescopes function as a magnifying glass, therefore dramatically increasing the intensity of the light source.



Keep the spotting scope and included accessories out of reach of children. Some of our products may contain small parts that could pose a choking hazard to young children or nylon straps that could pose a strangulation risk.



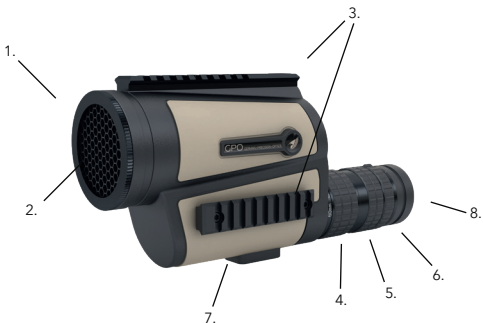
Be cautious when touching metal parts when the product has been stationary and extensively exposed to the sun or the freezing cold, as extremely hot or frozen metal components may cause an injury to the skin. Avoid improper shock, such as dropping this product. It is an optical instrument and damage may occur.



After using this product, always use the protective cover provided to avoid accidental light magnifying, which may create a fire.

Avoid improper shock, such as dropping this product. It is an optical instrument and damage may occur.

Repairs should be solely handled by an authorized repair location or GPO GmbH. The improper and unauthorized usage, disassembly, or repair of the products by a non-authorized repair business may result in the termination of this product's warranty. For service or repair, please contact GPO at info@gp-optics.com



1. Objektiv
2. Wabenfilter
3. Picatinny Rails
4. Vergrößerungswechsler
5. Fokussierung
6. Dioptrienausgleich
7. Stativgewinde
8. Drehbare Augenmuschel

MOUNTING THE PICATINNY RAILS

It is possible to mount Picatinny rails on the sides and on the top to accommodate additional equipment. To do so, position the Picatinny rail such that the engraving in the grooves of the rail rises from front to back. T02 on the objective side and T08 on the eyepiece side. Now screw the supplied hexagon socket screws into the threaded holes and tighten them. You can carry out this step for all 3 rails.



ADJUSTING THE EYECUP

The rotating eyecup has two detent positions by which you can adjust the distance of the eye to the eyepiece lens. This allows you to ergonomically adjust the interpupillary distance individually in accordance with your personal preferences. A distinction is made between use with or without glasses.



Use without glasses
When using the eyecup without glasses, turn the eyecup completely out counter-clockwise.



Use with glasses
If you wear glasses, turn the eyecup clockwise all the way in.

If you turn clockwise beyond the stop with excessive torque, you will loosen the eyecup and can unscrew it. This is desired to clean the eyecup or to replace it with other optional eyecups. To return the eyecup to its original state, simply screw the eyecup back in counter-clockwise.

ADJUSTING THE RETICLE FOCUS

Since the reticle and the object to be observed are on different planes, it is difficult for the eye to focus on these two planes at the same time. For this reason, observation optics are furnished with a focus adjustment.

ADJUSTING THE RETICLE AND IMAGE SHARPNESS

Find a distant object and look through the spotting scope. Concentrate on the reticle and bring it into focus with the diopter adjustment (6). Then focus on the object with the focus adjustment (5). This will bring both planes into focus.



THE MAGNIFICATION CHANGER

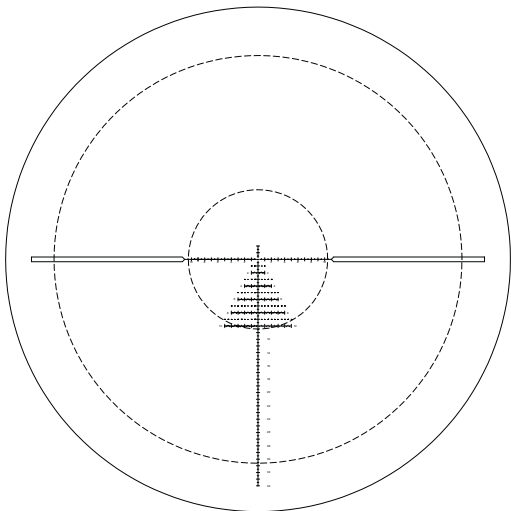
By turning the magnification changer (4), you can switch seamlessly between different magnifications. The engraved numbers in combination with the tactile ridge provide orientation.

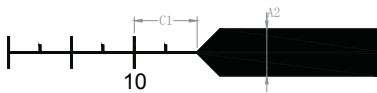
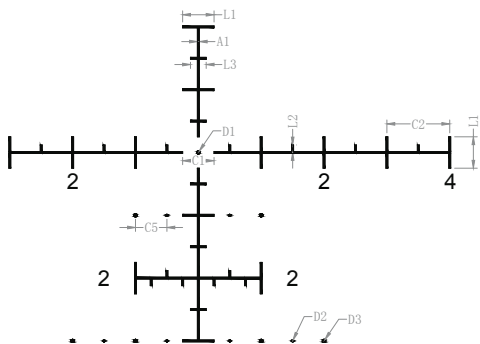


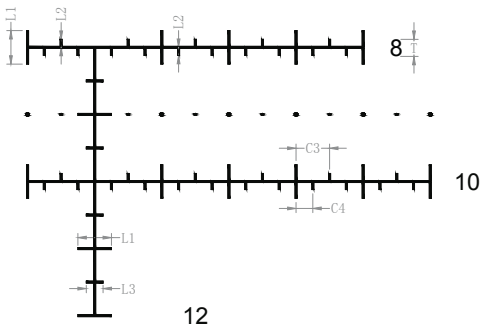
RETICLE: PLR

Information:

The PLR reticle of the GPO TAC45 Spotter 15-45x60 is 1:1 compatible with our riflescope SPECTRA 4,5-27x50 FFP CCW (PLRi).







Unit	A1	A2	C1	C2	C3	C4	C5
MIL	0.03	0.75	0.5	1	0.5	0.25	0.5

Unit	D1	D2	D3	L1	L2	L3	T
MIL	0.05	0.03	0.05	0.5	0.12	0.25	0.25

CARE, CLEANING AND MAINTENANCE

You can clean the optics of your product with the optical microfiber cloth supplied with your product or use another lens cleaning device designed exclusively for optical cleaning purposes.

Be sure to keep the optical surfaces clean and immediately remove any dirt or oil residue caused by grease (fingerprints), oil, or water stains to ensure consistent optical quality.

To clean the outer lenses of your product, you must first remove any granular dirt particles that could cause scratches during the cleaning process. Note that coarse granular dirt particles must be removed using either a bellows or a clean hairbrush. Failure to do so may result in damage to the optical coating or scratches on the lens.

Once larger debris is removed, lightly dampen the optical surfaces to create a damp mist, then use the dry microfiber optical cleaning cloth provided to clean the lens surfaces.

All other external mechanical parts can be cleaned with a normal soft, clean, slightly damp cloth.

This microfiber cloth must be free of physical granular debris.

PROPER STORAGE

After use, store your spotting scope in a dry and well-ventilated place. If you are using your product in a region with high humidity, please store your product in an airtight container with moisture absorbent material to reduce possible fungal build-up.

SPARE PARTS

If you need spare parts or accessories for your spotting scope, please contact an authorised dealer or GPO GmbH in Inning am Ammersee. In the USA, please contact GPO, USA, at info@gpo-usa.com. For all other countries, please contact GPO GmbH at info@gp-optics.com.

Magnification	.	15 - 45 x
Objective lens diameter	(mm)	60
Focussing system	.	Eyepiece focussing system
Exit pupil	(mm)	4 - 1,3
Exit pupil	(inch)	0,16 - 0,05
Real field of view	.	3,47 - 1,6
Apparent field of view	.	52 - 52
Field of view	(m/100m)	60 - 20
Field of view	(ft/100y)	180 - 60
Close focussing limit	(m)	10
Close focussing limit	(yds)	11
Dioptre adjustment	(dpt.)	+/-3
Eye distance	(mm)	27
Eye distance	(inch)	1,06
Nitrogen filled	.	Yes
Watertight Mbars / cm	.	100

Length / Width / Height	(mm)	278 x 138 x 84
Length / Width / Height	(inch)	10,9 / 5,4 / 3,3
Weight	(g)	830
Weight	oz	29,2
Reticle	.	PLR
Focal plane	.	FFP

Accessories	.	Objective lens cap, set Eyepiece cap Operating instructions Cleaning cloth Honeycomb filter 3x Picatinny Rail
-------------	---	--