



**ELECTRO-OPTICS**

# **OSCAR™**

**OSCAR3™ IMAGE STABILIZED MINI SPOTTING SCOPE**

**OWNERS MANUAL**

**SIG SAUER®**

## TABLE OF CONTENTS

Introduction . . . . .	3
Contents . . . . .	4
Key Features . . . . .	5
Product Identification . . . . .	6
Setup . . . . .	8
Operation . . . . .	10
Maintenance . . . . .	12
Troubleshooting . . . . .	12
Specifications . . . . .	13
SIG SAUER® Electro-Optics Infinite Guarantee™ . . . . .	14
SIG SAUER Electronic Component Limited 5-Year Warranty . . . . .	15

This manual is available in the following languages: French, Spanish, German, Italian, Portuguese, Russian, Afrikaans, Swedish, and Norwegian. Please visit [sigoptics.com](http://sigoptics.com) for Owners Manual downloads.

## INTRODUCTION

The Revolutionary SIG SAUER OSCAR3™ mini spotting scope features advanced electronic image-stabilization technology that fits in the palm of your hand, no tripod required. The proprietary SOS™ SIG Optic Stabilizer system is gyroscopically stabilized to cancel out unwanted shaking and vibrations that can blur an image, especially at higher spotting scope magnification levels. Due to its small size and extended ranging capabilities, the OSCAR3 is ideal for backpacking, hunting, wildlife and sports observation, Law Enforcement and Military reconnaissance. Utilizing SIG LD Low Dispersion fully multi-coated glass and a BAK4 prism, the OSCAR3 delivers razor sharp images, true color fidelity and superior low light performance. The rugged lightweight glass fiber reinforced polymer body is wrapped in a durable low durometer synthetic rubber for extreme grip and protection. The OSCAR3 features a multi-position twist-up eyecup to customize eye relief setting and has independent power selector, focus and image stabilization controls. The innovative OSCAR3 packs full size spotting scope performance into a compact handheld design. Command the advantage with SIG SAUER Electro-Optics.

The OSCAR3 is covered by the SIG SAUER Electro-Optics Infinite Guarantee and SIG SAUER Electronic Component Limited 5-Year Warranty.

**CONTENTS:**

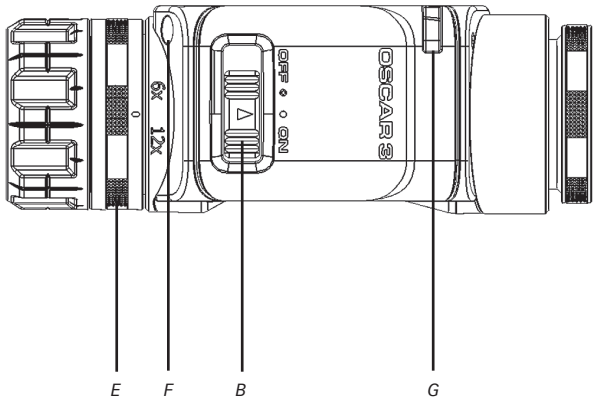
- OSCAR3™ Spotting Scope
- Premium Padded Ballistic Nylon Case
- Lanyard
- CR2 batteries (2)

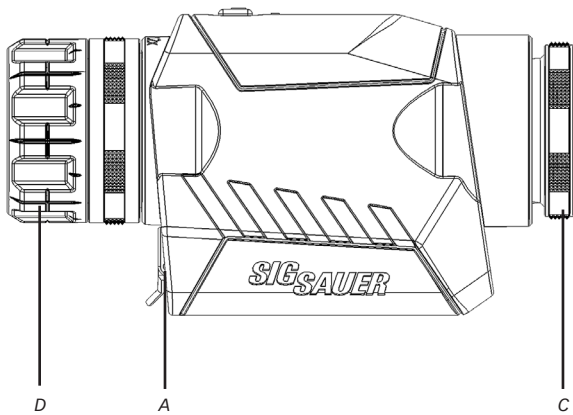
**KEY FEATURES:**

- Ideal for backpacking, hunting as well as concealed viewing situations for LE or Military use
- SOS™ (SIG SAUER Optic Stabilizer) advanced electro-optical image stabilization technology compensates for shaking and vibration to lock on a smooth and stable view
- Low dispersion, multi-coated glass with BAK4 prism provides maximum color clarity and image brightness
- Precision focus system
- Rugged lightweight polymer housing wrapped in a durable rubber armor for extreme grip and protection
- Generous eye relief via multi-position eyecup
- Dependable waterproof (IPX4 rated) and fogproof performance
- INFINITE Guarantee™ and Electronic Component Limited 5-Year Warranty, see website for full details

**PRODUCT IDENTIFICATION:**

- A- Battery Port
- B- Power Switch
- C- Focus Ring
- D- Eye Cup
- E- Power Selector Ring
- F- Power On Indicator
- G- Lanyard Attachment Slot

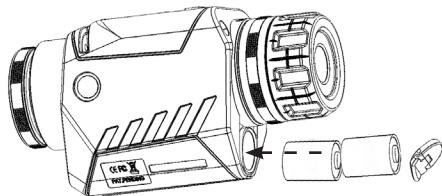
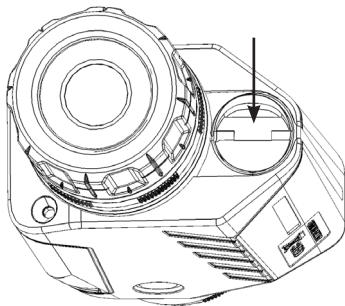




## SET UP

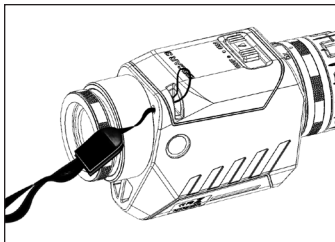
### Installing the battery

The battery port is located on the ocular side of the scope. Unscrew the battery port cover and insert two CR2 batteries into the battery port with the positive(+) side facing out. Tighten the battery port cover.





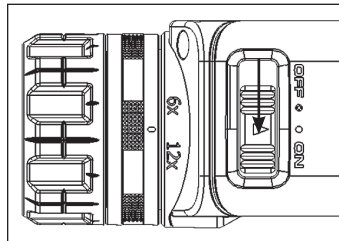
- Install the lanyard loop through the lanyard attachment point. Pass the lanyard back through the loop for secure attachment.



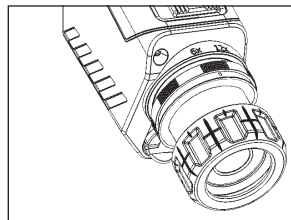
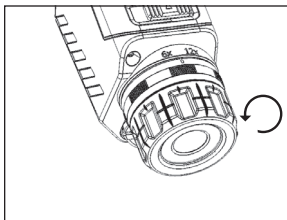
## OPERATION

- Turn on the scope by sliding the power switch to the ON position on the top of the scope.

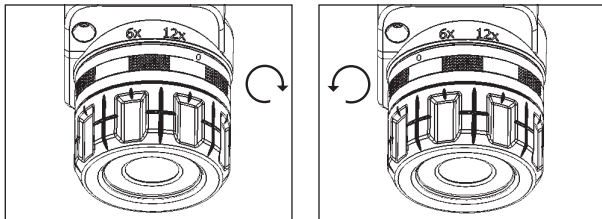
If the power switch is not fully in the ON position the OSCAR3 will not function properly.



- The eye cup is adjustable for use with or without glasses. To extend the eyecup rotate it counter-clockwise.



- The OSCAR3 has adjustable magnification. To increase the power of the scope turn the power selector ring clockwise. To decrease the power turn the power selector ring counter-clockwise.



- The focus ring is located at the objective lens. While looking through the scope adjust the focus ring until the image is focused at the desired range.



## MAINTENANCE

- Cleaning- Keep your lenses clear by using a soft cloth or lens pen. The best way to maintain image quality is by keeping your lenses clear of dirt and dust that cause scratches.

## TROUBLESHOOTING

### Image Stabilization not functioning

- Check to ensure the power switch is fully in the ON position
- Check that battery has sufficient charge

### Power On Indicator Not Lighting

- Check that there are batteries inserted in the battery port
- Check that the batteries have the correct orientation
- Check that the batteries have sufficient charge
- Check that the battery port cover is not damaged

### Mini-Spotting Scope is buzzing

- Ensure that the power switch is fully in the ON position

**OSCAR3 SPECIFICATIONS**

<b>Model/Magnification</b>	<b>6-12</b>	<b>10-20</b>
<b>Exit Pupil</b>	4.2mm / 2.1mm	3.0mm / 1.5mm
<b>Objective Clear Aperture</b>	25mm	30 mm
<b>Close Focus Distance</b>	8.2 ft	19.7 ft
<b>Length</b>	5.3 in	6.7 in
<b>Eye Relief</b>	23mm / 15mm	23mm / 15mm
<b>Linear FOV FT at 1000 yards</b>	294 ft / 210 ft	179 ft / 126 ft
<b>Linear FOV M at 1000 M</b>	89.6m / 64m	54.6m / 38.4 m
<b>Angular FOV</b>	5.6 / 4.0 degrees	3.4 / 2.4 degrees
<b>Weight</b>	397g / 14oz	454g / 16oz



### **SIG SAUER Electro-Optics Infinite Guarantee™**

SIG SAUER has manufactured the most rugged, dependable high-performance firearms for over two centuries. Our heritage of design, engineering and precision-manufactured quality predates the existence of any other optics company worldwide. We understand the importance of quality in the line of fire, at the shooting range or on your next hunt. SIG SAUER Electro-Optics had to earn the right to wear that badge and the Infinite Guarantee has your back, forever. Period.

We will repair or replace your SIG SAUER product in the event it becomes damaged or defective, at no charge to you. If we cannot repair your product, we will replace it with a product in perfect working order of equal or better physical condition. It doesn't matter how it happened, whose fault it was, or where you purchased it.

### **SIG SAUER Infinite Guarantee™**

- Unlimited Lifetime Guarantee
- Fully Transferable
- No Warranty Card Required
- No Receipt Required
- No Time Limit Applies
- No Charge

If you ever have a problem, no matter the cause, we promise to take care of you when it counts. Please note that our Infinite Guarantee does not provide coverage for intentional damage, misuse, cosmetic damage that does not affect the performance of the optic, loss, theft or unauthorized repair or modification. Excludes electronic components.



### **SIG SAUER Electronic Component Limited 5-Year Warranty**

For components not included under the SIG SAUER Infinite Guarantee, this warranty covers any defects in materials and workmanship in the electronic components of illuminated riflescopes/sights, electronic sights, flashlights, lasers, binoculars, spotting scopes and rangefinders. This warranty lasts for five years from the date of manufacture. If, during that five-year period, these products are found to have electronic component defects in materials or workmanship, SIG SAUER will repair your product, at no charge to you. If we cannot repair your product, we will replace it with a product in perfect working order of equal or better physical condition. This warranty gives you specific legal rights, and you may also have other rights which vary from state to state.





**FOR PRODUCT SERVICE ON THIS MODEL, PLEASE CALL 603-610-3000**

19861 SW 95th Avenue, Portland, OR 97062 USA