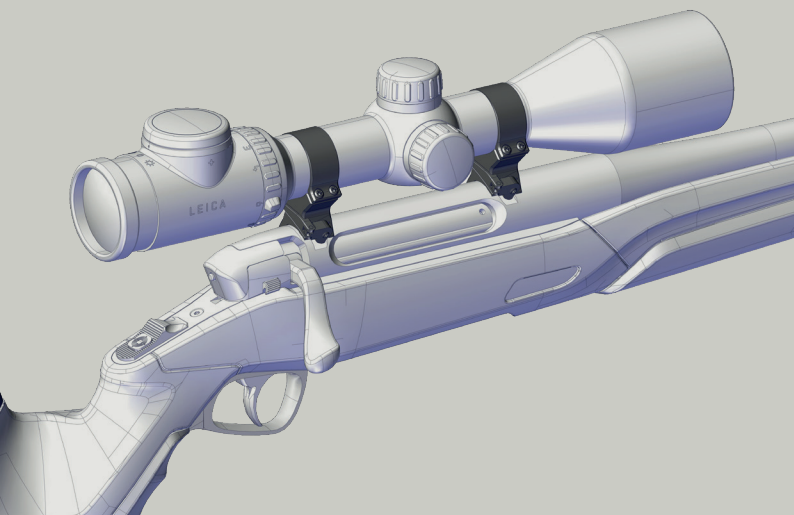


# ASSEMBLY INSTRUCTIONS

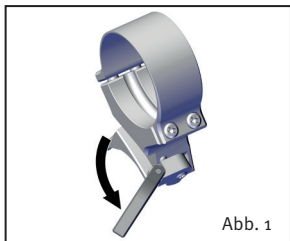
## STEYR MONOBLOC RING MOUNT



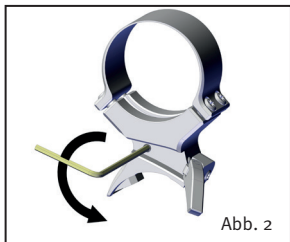
**Important  
Read before use!**



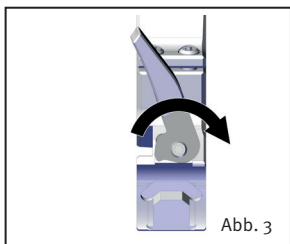
## Assembly Instructions:



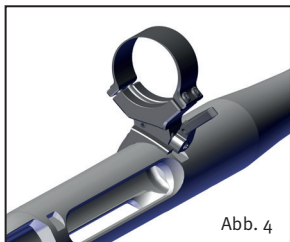
1. Swing the lever out.



2. Loosen the grub screw with a hex key wrench 1,5mm.



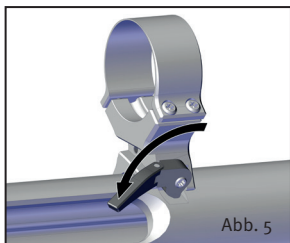
3. Open the clamping piece by turning the lever clockwise.



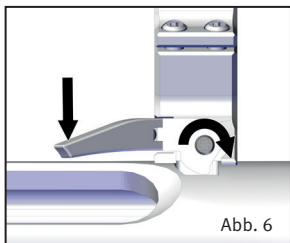
4. Position the mount on the receiver of the MONOBLOC.

**NOTE:**

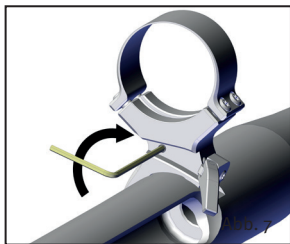
If it is not possible to fix the mount on the receiver, the threaded spindle has to be loosened with an external star wrench TX8.



5. Swing the lever counter clockwise, to fix the mount with the clamping piece on the receiver of the MONOBLOC.



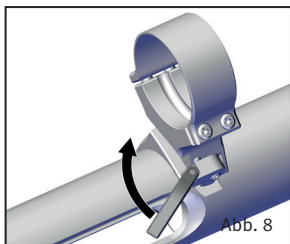
6. Fix the mount by tightening the threaded spindle with an external star wrench TX8 with 1 Nm. Push the lever downwards during tightening the threaded spindle so that the clamping piece stays closed.



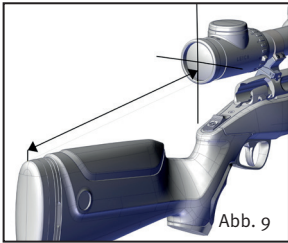
7. Secure the threaded spindle with the grub screw with a hex key wrench 1,5mm.

**NOTE:**

Tighten the grub screw so that the threaded spindle cannot twist when locking and unlocking the clamping piece with the lever.



8. Swing the lever into the recess in the mount.
9. Repeat the procedure with the 2. mount.
10. After fixing both mounts, loosen the clamping screws and take off the upper ring of the mount.
11. Position the optic on the mount.
12. Splay the rings of the mount a little bit to position them on the optical tube.
13. Fix the optic with the clamping screws with an external star wrench TX10.

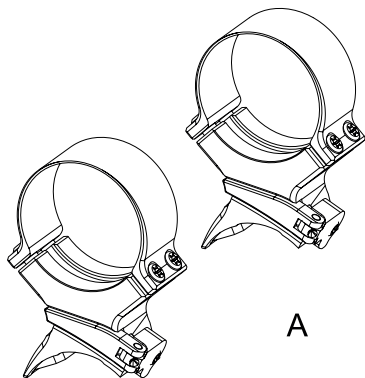


14. Before you tighten the screws, check that the optic is in the right position on the MONO-BLOC. The eye relief has to be adjusted according to the manufacturer's instructions and the reticle has to be aligned.

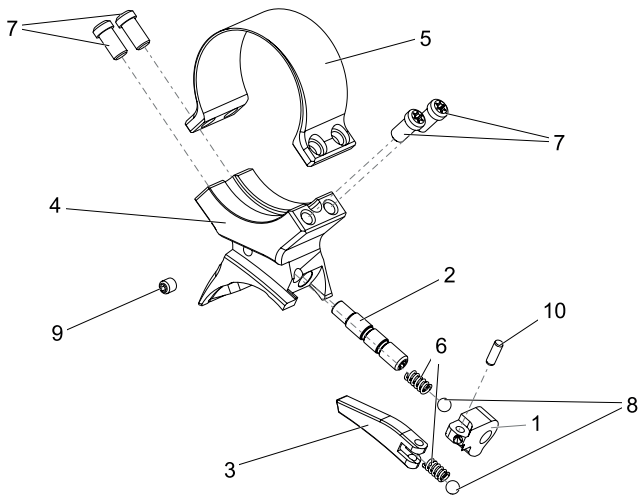
15. When the optic is in its right position, fix the clamping screws with 2,5Nm.

**NOTE:**

In order to achieve the best possible accuracy, we recommend gluing the optic on the mount base.



A



Pos.	Part No.	Designation	Quantity
A	7630070600	Ringmount Titan MB Ø30mm, BH 15mm	
1	7600070001	Clamping piece	1
2	7600070002	Threaded spindle, TX8	1
3	7600070003	Lever	1
4	7630070001	Mount Monobloc Ø30mm, base	1
5	7630070002	Moun Monobloc Ø30mm, ring	1
6	2600030015	Spring	2
7	6600070003	Clamping screw M3,5, TX10	4
8	3330033	Steel ball Ø3,0mm	2
9	3890005	Grub screw M3x4, hex key wrench 1,5mm	1
10	3900093	Pin 2x6	1



**STEYR ARMS GmbH**  
Ramingtal 46  
4442 Kleinraming / Austria  
office@steyr-arms.com  
www.steyr-arms.com

