

X300U

⚠ BATTERY INFORMATION & WARNING

Before replacing batteries, read the enclosed BATTERY INFORMATION/WARNING insert in your original packaging. For additional battery safety, handling, and product information, visit www.surefire.com/batteries.

MAINTENANCE

Use a clean, dry cloth to wipe off body and window. Periodically clean and lubricate threads.

ACCESSORIES

SureFire makes a full line of accessories for most of its illumination tools. For a complete listing, visit www.surefire.com/partsaccessories.

THE SUREFIRE NO-HASSLE GUARANTEE

We'll do what it takes to keep your SureFire gear running smoothly. SureFire warrants that if you — our customer — purchase one of our products, and we determine that it is defective in material and/or workmanship during your lifetime, we will repair or replace it — no hassle!

Our warranty does not cover consumables or normal wear-and-tear — things like batteries draining, headbands and headpads wearing out, ink cartridges running out, and switches wearing out — or damage resulting from abuse, alterations, unauthorized repairs, or use contrary to SureFire's user manuals.

Should you need a replacement product, SureFire reserves the right to replace an obsolete product with a current production, like model. In the event that any issue with a SureFire product is not covered under this warranty SureFire can arrange to have the product repaired for a reasonable fee.

STANDARD DISCLAIMER

Except as specified above or prohibited by applicable law: all express or implied conditions and warranties, including, without limitation, any implied warranty or condition of merchantability or fitness for a particular purpose, or accuracy of any informational content, are hereby excluded and disclaimed by SureFire; and in no event will SureFire be liable for any special, direct, indirect, consequential, incidental or punitive damages howsoever arising and regardless of the theory of liability, even if advised of the possibility of such damages. Products, prices, availability, specifications, and offers are subject to change or cancellation at any time without notice.

WARRANTY CLAIMS

For claims, contact Customer Service at 714-545-9444 to obtain a Return Merchandise Authorization number (RMA#). Then package the unit carefully and send to (no CODs):

SureFire, LLC.
Repairs Department, RMA# _____
17680 Newhope Street, Suite B
Fountain Valley, CA 92708

SureFire will pay any reasonable shipping costs to return the unit to you.

Revision F 02-2019
71-01-967
X300U-B, X300U-B-TN



18300 MT. BALDY CIRCLE
FOUNTAIN VALLEY, CA 92708-6122

WWW.SUREFIRE.COM

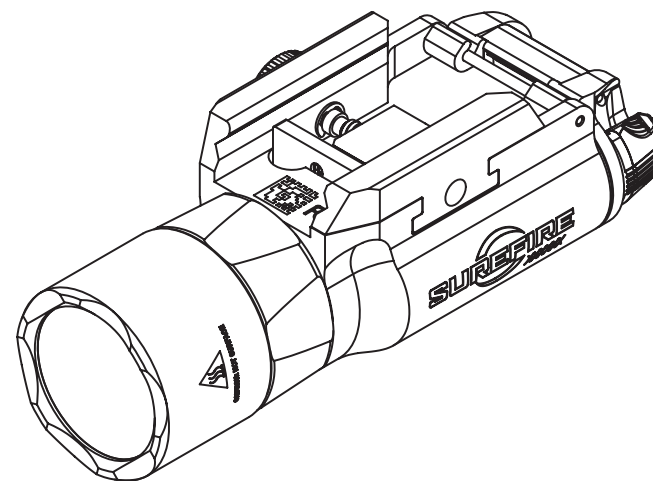
Patents: 7117624, 7591098, 7325352, 7360333, 7310903

SUREFIRE

X300U

ULTRA-HIGH-OUTPUT LED HANDGUN LIGHT

X300U-B
X300U-B-TN

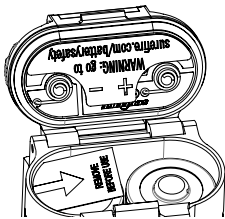


	X300U-B
OUTPUT	1,000 lumens
RUNTIME	1.25 hours
PEAK BEAM INTENSITY	11,300 candela
DISTANCE	213 meters
CONSTRUCTION	Aluminum
FINISH	Mil-Spec Hard Anodized
WEIGHT (w/batteries)	4.0 oz (113 g)
LENGTH	3.6 in (9.1 cm)
BEZEL DIAMETER	1.125 in (2.9 cm)
BATTERIES	Two 123A lithium (incl.)
SWITCHING	Ambidextrous push/toggle
LIQUID INGRESS PROTECTION	IPX7 - Submersion up to one meter for 30 minutes

All performance claims tested to ANSI/NEMA FL1-2009 Standard.

USER MANUAL

BEFORE INITIAL USE, REMOVE BATTERY INSULATOR



KIT CONTENTS:

- X300 ULTRA WeaponLight
- Battery Cover
- Battery Cover Retaining Pin
- Two 123A Batteries
- Picatinny Crossmember

BATTERY INSTALLATION / REPLACEMENT

⚠ WARNING

Use of substandard batteries can cause injury or property damage. Visit www.surefire.com/batterysafety.

1. Attach Battery Cover by aligning cover hinges with X300 ULTRA's Hinge Pin (Fig. 1) and carefully snap hinges onto pin.
2. Insert 123A Batteries with terminals oriented as shown in the engraved schematic on X300 ULTRA body shown in Fig. 2.
3. Close Battery Cover until compartment latch clicks and locks cover in place.
4. Using pliers, insert battery cover Retaining Pin through both holes in latch bracket, as shown in Fig. 2, until pin locks in place and latch cannot be released.
5. To replace batteries, remove battery cover Retaining Pin with pliers, depress latch to open Battery Cover, and remove and properly dispose of depleted batteries.
6. Install fresh batteries and re-secure Battery Compartment per Installation directions above.

Note: Replace all batteries; never mix old and new batteries.

MOUNTING X300 ULTRA TO WEAPON

⚠ WARNING

ALWAYS confirm weapon is unloaded and on SAFE before attempting installation.

X300 Ultra attaches to both Universal and Picatinny rails but ships with its Universal (marked "U") Crossmember preinstalled. To attach X300 Ultra to a Universal accessory rail, skip ahead to **Attaching X300 Ultra to Accessory Rail** instructions. To attach X300 Ultra to a Picatinny rail, the Universal Crossmember must first be removed and the included Picatinny Crossmember (marked "P") must be correctly installed as follows.

INSTALLING PICATINNY CROSSMEMBER

1. Loosen Rail-Adjustment Bolt by turning counterclockwise until Universal Crossmember's "wedge" is fully exposed (Fig. 3).
2. Remove Universal Crossmember by lifting it out; store in a safe place for future use.
3. Place Picatinny Crossmember into slot vacated by the Universal Crossmember, ensuring that the top of "P" on Crossmember's front edge is facing forward (toward bezel) and "wedge" is facing rearward.
4. Push Picatinny Crossmember all the way forward and, while holding Crossmember in place, tighten Rail-Adjustment Bolt (Fig. 4) by turning clockwise until movable Rail Guide overlaps Crossmember "wedge," locking it securely in place. Proceed to **Attaching X300 Ultra to Accessory Rail** instructions.

ATTACHING TO HOST WEAPON RAIL

Note: The appropriate Crossmember MUST be installed ("U" for Universal rails; "P" for Picatinny rails) to attach X300 Ultra to a weapon's accessory rail. Some pistols with a MIL-STD-1913 rail may require the Universal crossmember to properly interface with the location of the front trigger guard surface.

1. Adjust gap between stationary and movable Rail Guides by turning Rail-Adjustment Bolt clockwise or counterclockwise until gap is sufficiently wide to fit over weapon accessory rail (Fig. 5).
2. Align Fixed Rail with weapon's accessory rail and hinge X300 Ultra over the cross slot of host weapon
3. Mate Crossmember with corresponding slot in weapon's accessory rail.
4. Secure by turning Rail-Adjustment Bolt clockwise. Turn bolt until the X300 Ultra fits snugly onto host weapon rail. Use a coin or flat head screw driver to further tighten bolt no more than a 1/4 turn or until the bolt stops moving. Do NOT overtighten! The bolt will break if excessive force is applied with a tool.

LIGHT OPERATION

For momentary-on light operation, press and hold either the right or left side of tailcap toggle switch; release to turn light off. (Fig. 6)

For constant-on operation, rotate tailcap toggle switch up or down; rotate in the opposite direction to turn light off. (Fig. 6)

Note: An assortment of remote switches are available for SureFire X-Series WeaponLights.

Visit www.surefire.com/parts-accessories/switches.html

FIGURE 1

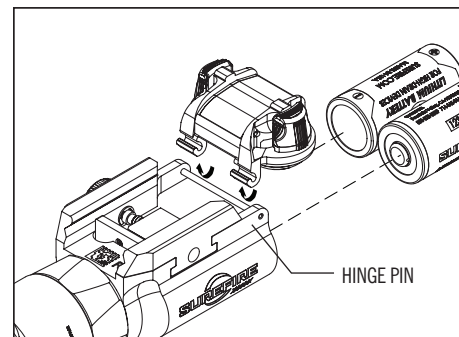


FIGURE 5

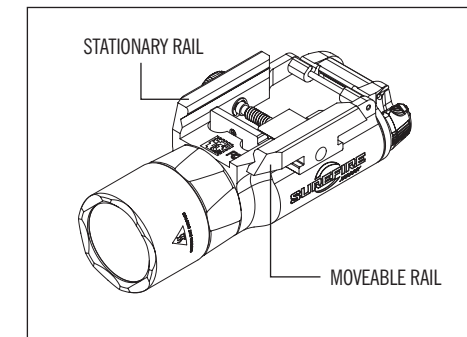


FIGURE 2

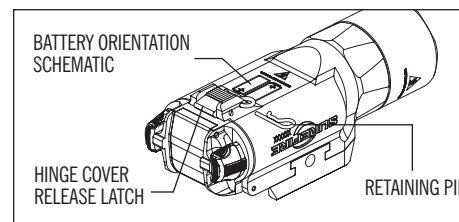


FIGURE 6

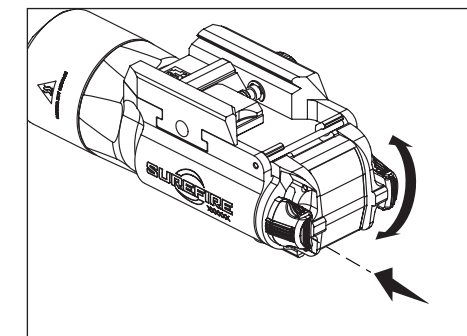


FIGURE 3

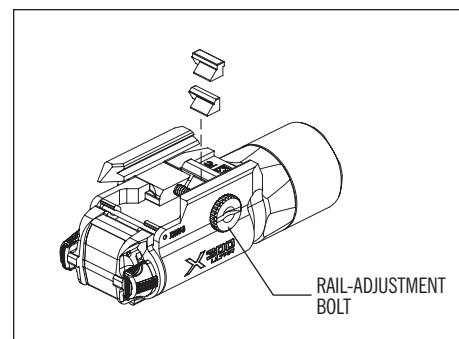


FIGURE 4

